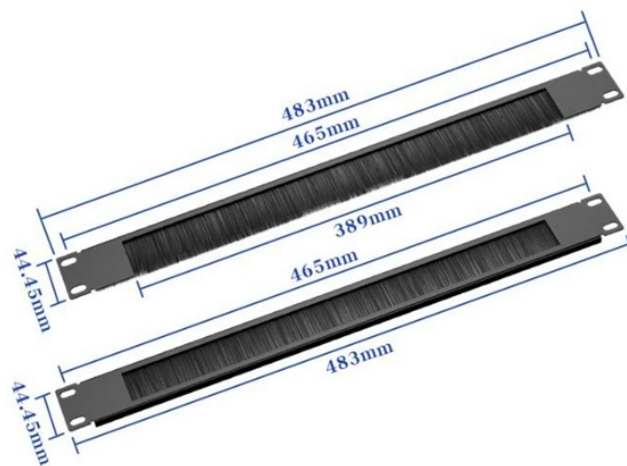


Can Huawei access-level switches be used



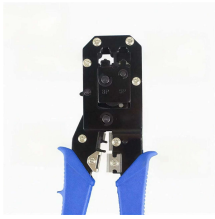
Overview

Yes if you're replacing an aging enterprise access-layer switch in a mixed-vendor environment, the Huawei 16-port 10G switch works seamlessly alongside Intel, Cisco, and MikroTik devices when paired with standard SFP+ modules. Access devices downstream to the core layer can automatically go online through Zero Touch Provisioning (ZTP). Mode 1: Import information using the network plan template. In this case, you do not need to manually add devices or set. The S6700 series switches (S6700s) are next-generation 10G box switches. The S6700 has industry-leading performance and provides up to 24 or 48 line-speed 10GE ports. Methods for Set a User Level for Huawei Switches, you can also apply for S9300 switch, S9700 switch. When password authentication or none. Discover real-world insights on the Huawei 16 Port 10G Switch, showcasing seamless cross-platform compatibility, solid performance in demanding tasks like VMware backups, easy configuration for beginners, durable thermal design, and proven user satisfaction in mission-critical deployments.

Can Huawei access-level switches be used



The S6700 can function as an access switch in an Internet data center (IDC) or a core switch on a campus network. The S6700 has industry-leading performance and provides up to 24 or 48 line ...



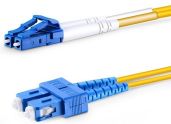
Thunder link offers various models of Huawei Ethernet switches and network switches, including the S5720, S6720, S6730, CE6800 and CE12800, designed for data centers and campus networks.



The S3700 series enterprise switches (S3700s) are next-generation energy-saving Layer 3 switches. The S3700 utilizes cutting-edge hardware and Huawei Versatile Routing Platform (VRP) software to ...



The core switch must have IP addresses that can be dynamically assigned, so that access switches can obtain IP addresses when they go online for the first time in plug-and-play mode.



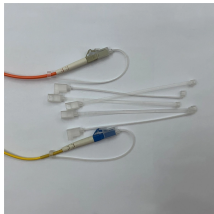
Discover real-world insights on the Huawei 16 Port 10G Switch, showcasing seamless cross-platform compatibility, solid performance in demanding tasks like VMware backups, easy configuration for ...



When configuring access switches to be managed by the controller, you can use the core switch as the management subnet gateway of the access switches, and configure the management VLAN auto ...



Methods for Set a User Level for Huawei Switches, you can also apply for S9300 switch, S9700 switch. When password authentication or none authentication is used, use the following ...



Learn how to use the Huawei HG8145V5 as a wired switch and wireless access point, extending your network's capabilities. This guide takes you through each step to configure the ...



The document provides configuration instructions and commands for basic switch configuration using Huawei switches. It covers topics such as changing the hostname, configuring user accounts and ...



In this tutorial, we will guide you through the process of configuring access and trunk ports on Huawei Switches.

Contact Us

For more information, pricing, or custom data center solutions, please contact us:

Website: <https://yoahorroenergia.es>

Email: hello@yoahorroenergia.es

Phone: +233 54 318 7269

Address: Plot 28, Spintex Road, Accra, Greater Accra, Ghana

This document is for informational purposes only. Specifications subject to change without notice.

