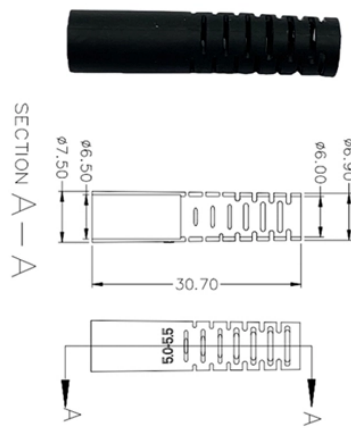


Gigabit port plugs into 10 Gigabit optical module



Gigabit port plugs into 10 Gigabit optical module



The transceiver provides 10 Gbps serial optical data transfer rates on a single duplex fiber core up to 10,000 meters at 1,310 nm wavelength, ideal for connecting switches, routers, and ...



FS 10GbE SFP+ module solutions provide a wide variety of 10 Gigabit Ethernet connectivity options for data centers, enterprise wiring closets, Internet Service Providers (ISPs) applications.



The industry-standard Cisco® Small Form-Factor Pluggable (SFP) Gigabit Interface Converter (Figure 1) links your switches and routers to the network. The hot-swappable input/output device plugs into a ...



XFP - an early 10 G standard, larger and now obsolete. SFP+ - the modern 10 G mainstream module, compact and efficient. GBIC - The Legacy 1G Module (Mostly Obsolete) The ...



When an SFP+ optical module is used on the SFP+ port of a 10 Gigabit switch and an SFP optical module is used on the SFP port of a Gigabit switch, the SFP+ port ...



When an SFP+ optical module is used on the SFP+ port of a 10 Gigabit switch and an SFP optical module is used on the SFP port of a Gigabit switch, the SFP+ port of the 10 Gigabit switch cannot be ...



This is because the Gigabit optical port cannot support 10Gbps data transmission, so it will be reduced to a 1Gbps rate when connected. This rate reduction operation enables connection ...



Moxa's small form-factor pluggable transceiver (SFP) Ethernet fiber modules for 10 Gigabit provide coverage across a wide range of communication distances. Note: When connecting the SFP-ER or ...



This data sheet describes the benefits, specifications, and ordering information for the Cisco SFP Modules for Gigabit Ethernet Applications.



This hot-swappable input/output transceiver plugs into an Ethernet Enhanced Small Form-factor Pluggable (SFP+) port of a Cisco switch and offers optical interoperability with 10GBASE ...



The Cisco 10GBASE SFP+ modules give you a wide variety of 10 Gigabit Ethernet connectivity options for data center, enterprise wiring closet, and service provider transport applications.

Contact Us

For more information, pricing, or custom data center solutions, please contact us:

Website: <https://yoahorroenergia.es>

Email: hello@yoahorroenergia.es

Phone: +233 54 318 7269

Address: Plot 28, Spintex Road, Accra, Greater Accra, Ghana

This document is for informational purposes only. Specifications subject to change without notice.

