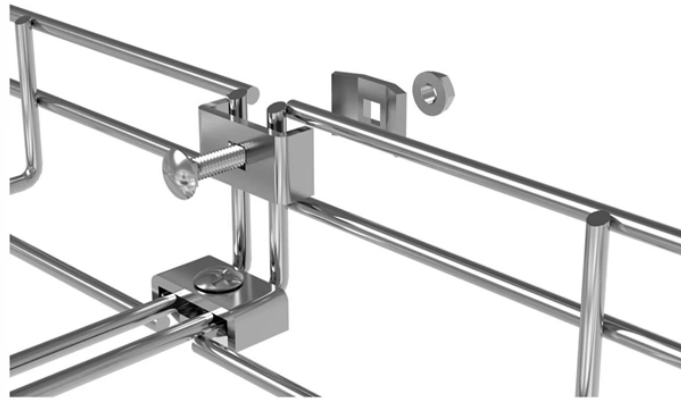


# Height of Low-voltage switchgear busbar bridge



## Height of Low-voltage switchgear busbar bridge



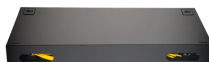
The Pow-R-Way III 200% neutral is manufactured with a single 0.50-inch (12.7 mm) thick bus bar, which receives the same silver-plating and Class B, 130°C Epoxy insulation as the phase bars.



The phasing of AC bus bars must be identified by colour-coded bands in phase colours of red, white and blue and DC bus bars in red(positive) and black (negative) applied at regular intervals not exceeding ...



Our busbar systems for electrical installations offer a particularly easy way of fitting distribution systems with electrotechnical components. The modular design saves space, while quick assembly contacts ...



Learn how low voltage switchgear design balances busbar current rating, cabinet space, heat management, and modular construction for U.S. and European projects. This guide explains ...



It specifies the width, depth, and stacking capabilities for incomers/bus couplers, air circuit breaker feeders and bus couplers, and non-starter feeders/air circuit breakers, depending on the ...



A typical switchgear panel assembly uses four conductor families: main busbar, sub-busbar, neutral busbar, and earthing busbar. Each has a distinct electrical and protective role. If you ...



Busbar trunking connections are used for incoming or outgoing supply, or for connecting rows of switchgear together. Each trunking unit takes up a height of 6 M in the upper part of the cubicle.



This section specifies the furnishing, installation, connection, and testing of low-voltage switchgear, indicated as switchgear in this section.



The circuit breakers shall be rated for the maximum voltage of the switchgear, 60 Hz, with a continuous current rating as shown on the Contract Documents and a maximum symmetrical interrupting rating ...



The document outlines the construction and specifications of low voltage switchgear, detailing arrangements such as single and double front panels, mounting types, ...



The IEC 61439 standard applies to busbar assemblies that will be installed in electrical applications with a voltage rating up to 1000 V (for AC) and 1500 V (for DC).

## Contact Us

For more information, pricing, or custom data center solutions, please contact us:

Website: <https://yoahorroenergia.es>

Email: [hello@yoahorroenergia.es](mailto:hello@yoahorroenergia.es)

Phone: +233 54 318 7269

Address: Plot 28, Spintex Road, Accra, Greater Accra, Ghana

This document is for informational purposes only. Specifications subject to change without notice.

