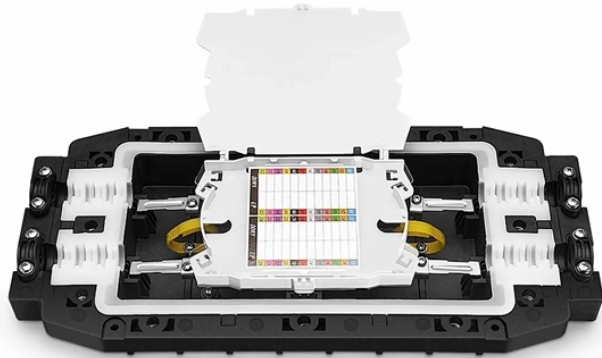


# How big should a high-voltage cable tray be



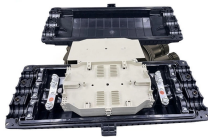
## How big should a high-voltage cable tray be



Have you ever had a really big secret? When a young boy makes a wish at a carnival machine to be big—he wakes up the following morning to find that it has been granted and his body has grown ...



Use this cable tray sizing calculator to check fill %, select tray size, and comply with IEC 61537 & NEC 392 with formulas, example and checklist.



A 12-year-old yearns to be a grown-up, and when he makes that wish at a fortunetelling machine, he awakens the next morning as a 30-year-old man.



The entire amount of the cross-sectional areas for all of the single conductor cables that are going to be positioned in the cable tray needs to be equal to or less than the permissible cable ...



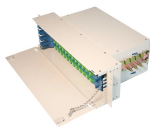
High-voltage power distribution cables typically cannot share tray space with low-voltage communication or instrumentation cables due to electromagnetic interference concerns and safety ...



NEMA VE 1-2017 Specifies requirements for metal cable trays and associated fittings designed for use in accordance with the rules of Canadian Electrical Code, Part I and the National Electrical Code®



The meaning of BIG is large or great in dimensions, bulk, or extent; also : large or great in quantity, number, or amount. How to use big in a sentence.



In designing supports for a cable tray system, consideration should be given to the loads associated with future cable additions and any additional loading that may be applied to the cable tray system (e.g., ...



Learn how to calculate the perfect cable tray size and dimensions for your electrical project. This guide covers load capacity, fill ratios, and industry standards.



BIG (Bjarke Ingels Group) is a multidisciplinary design firm specializing in architecture, engineering, and planning with a focus on innovative and sustainable projects.



For ladder cable trays supporting large power cables, 9-inch or wider rung spacings should be selected. For many installations the power cables will exit out the bottom of the cable tray and into the top of ...



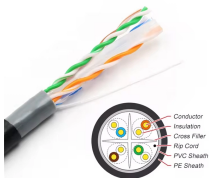
Find out how and where to watch "Big" online on Netflix, Prime Video, and Disney+ today - including 4K and free options.



Explore standard sizes by tray type, understand width and depth limits, and see how to calculate and choose compliant cable tray sizes for real projects.



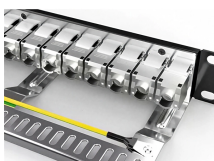
Big: Directed by Penny Marshall. With Tom Hanks, Elizabeth Perkins, Robert Loggia, John Heard. After wishing to be made big, a teenage boy wakes the next morning to find himself ...



Discover key engineering considerations on selecting cable tray for high voltage system, covering ampacity derating, material standards, EMI mitigation etc.



Big is a 1988 American fantasy comedy film directed by Penny Marshall and starring Tom Hanks as Josh Baskin, an adolescent boy whose wish to be "big" transforms him physically into an adult.



Explore standard sizes by tray type, understand width and depth limits, and see how to calculate and choose compliant cable tray sizes for real projects.



Selecting the right cable tray size is critical for electrical safety, system efficiency, and cost control. This comprehensive guide covers standard cable tray sizes, calculation methods, and practical selection ...



An insecure 13-year-old gets bigger than he bargained for when his wish to a carnival fortune-telling machine turns him into an adult overnight.

## Contact Us

For more information, pricing, or custom data center solutions, please contact us:

Website: <https://yoahorroenergia.es>

Email: [hello@yoahorroenergia.es](mailto:hello@yoahorroenergia.es)

Phone: +233 54 318 7269

Address: Plot 28, Spintex Road, Accra, Greater Accra, Ghana

This document is for informational purposes only. Specifications subject to change without notice.

