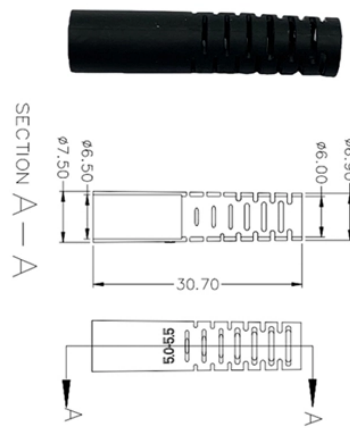


How is Huawei s integrated beam splitter



Overview

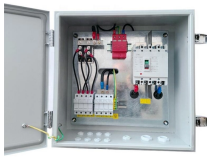
The Huawei OSPL43201 is a highly efficient optical splitter designed for even splitting of optical signals at a 1:4 ratio. Featuring an SC/APC termination with a compact size of 60x7x4mm, this product is an excellent choice for high-performance fiber optic network deployment. requirements in different scenarios. □ The input pigtail can be easily distinguished from the output pigtail due to the color difference. As a basic and important link in on-chip photon propagation, beam splitting is of great significance for the efficient utilization of sources and. Huawei Technologies Co Ltd. The OSPL43201 comes. □□ For purchasing, use the RP Photonics Buyer's Guide for beam splitters. It provides an expert-curated supplier directory, buyer-focused technical background information, and structured selection criteria to support professional procurement decisions. What are Beam Splitters?

A beam splitter (or.

How is Huawei s integrated beam splitter



With this new optical splitter, operators can automatically identify and generation topological maps of the optical distribution network (ODN) for fiber-to-the-home (FTTH) networks, the company...



Therefore, the applications of on-chip beam splitters are discussed from three aspects: related integrated optical devices, large-scale quantum chips and optoelectronic hybrid integrated chips.



Overview The SPL2605 can be independently integrated into an FDT or FAT, or encapsulated in a tray-mounted splitter SPL9201 for optical splitting in an ODF and FDT. The splitter ...



Beam splitters are devices for splitting a laser beam into two or more beams. There are different types, including polarizing and non-polarizing versions.



Overview Designs Phase shift Classical lossless beam splitter Use in experiments Quantum mechanical description Reflection beam splitters



A beam splitter or beamsplitter is an optical device that splits a beam of light into a transmitted and a reflected beam. It is a crucial part of many optical experimental and measurement systems, such as ...



The Huawei OSPL43201 is a highly efficient optical splitter designed for even splitting of optical signals at a 1:4 ratio. Featuring an SC/APC termination with a compact size of 60x7x4mm, this product is an ...



Within this geometry, we model low-loss beam splitters for applications in key quantum optical operations such as entanglement and single-photon interferometry.



In this study, we introduce an inverse design approach based on shape optimization to develop a high-performance PBS on the silicon-on-insulator (SOI) platform.



This project highlights how Huawei's PON splitter solutions can drive cost-effective and reliable FTTH expansions, even in densely populated areas where demand for high-speed internet is ...



Cube beamsplitters are constructed using two typically right angle prisms (Figure 1). The hypotenuse surface of one prism is coated, and the two prisms are cemented together so that they form a cubic ...

Contact Us

For more information, pricing, or custom data center solutions, please contact us:

Website: <https://yoahorroenergia.es>

Email: hello@yoahorroenergia.es

Phone: +233 54 318 7269

Address: Plot 28, Spintex Road, Accra, Greater Accra, Ghana

This document is for informational purposes only. Specifications subject to change without notice.

