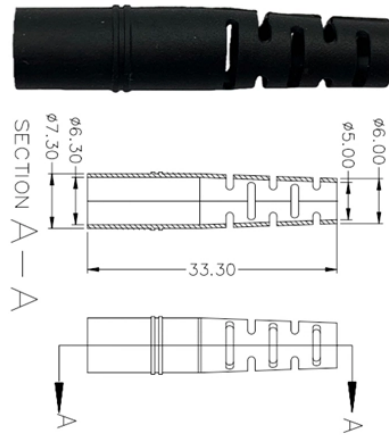
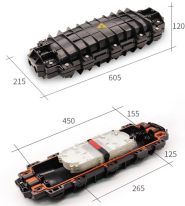


Intel optical modules are cheap



Intel optical modules are cheap



Find many great new & used options and get the best deals for Intel SPTSBP2CLCKS 100G-CWDM4 Optical Transceiver Module at the best online prices at eBay! Free shipping for many products!



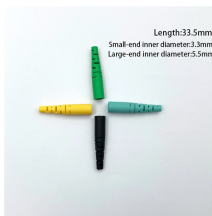
Available for just \$80, as long as you're buying them in packs of 10, the new module promises 720p depth information at up to 60fps.



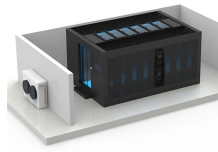
The picture below is the CPO optical switching module that Intel demoed in 2020. The demand for bandwidth growth is a rigid requirement, and power consumption drives optical devices ...



We have seen the blue tabbed 400G-DR4+ modules for \$69 or less. If you need 1.5km more reach, \$40 is going to be a small cost.



Intel shapes the future of technology driving innovation for a safe and productive world. Learn about the future of Intel, semiconductors, and more.



Intel posted blowout financial results on Thursday, a sign that the long-suffering chip maker is finally reaping substantial benefits from the artificial intelligence boom. Revenue in the first ...



I've also seen really cheap optics that didn't come with DDM / DOM modules - ...



I've also seen really cheap optics that didn't come with DDM / DOM modules - meaning you couldn't get any statistics, even Tx/Rx from them. Absolute nightmare to work with.



Find the latest Intel Corporation (INTC) stock quote, history, news and other vital information to help you with your stock trading and investing.



Shares of Intel jumped in Friday trading, pushed higher by reports that the company was moving closer to landing a deal to make chips for a Magnificent 7 client.



Figure 9 depicts the implementation of a 1.6T optical module in an OSFP platform using Intel's PICs and integrated electronic circuits. Intel's 1.6T optical module solution, for example, enhances bandwidth ...



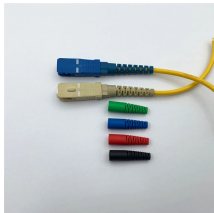
Intel has reached a preliminary deal to make some chips for Apple devices, the Wall Street Journal reported on Friday, in a potential boost to Intel's contract manufacturing business and ...



Intel Labs highlights industry-leading technological advances toward the realization of the company's long-standing vision of integrating photonics with low-cost, high-volume silicon.



We break barriers so builders can move faster, from prototype to global scale. That's the power of Intel Inside®



Intel Ethernet Optics are proven, reliable solutions, for high-density Ethernet connections. Combine these products with Intel Ethernet 800, 700 or 500 Network Adapters, for dependable interoperability ...



Apple could become the latest customer of Intel's fab business, joining Microsoft, Amazon, and Tesla



Shop Intel SFP & SFP+ optical transceivers (SX, LX, 25G SFP28) at NetworkTigers. Refurbished, used, and new with fast shipping & 365-day warranty.



Get the latest Intel news and in-depth analysis from the experts at PCMag.



NEWS HIGHLIGHTS Intel appoints Alex Katouzian as executive vice president and general manager of Client Computing & Physical AI Names Pushkar Ranade chief technology officer SANTA ...



By utilizing CWDM technology and operating at 1331nm, the Intel 100G-CWDM4 Optical Transceiver Module provides a cost-effective solution for high-speed data transmission.

Contact Us

For more information, pricing, or custom data center solutions, please contact us:

Website: <https://yoahorroenergia.es>

Email: hello@yoahorroenergia.es

Phone: +233 54 318 7269

Address: Plot 28, Spintex Road, Accra, Greater Accra, Ghana

This document is for informational purposes only. Specifications subject to change without notice.

