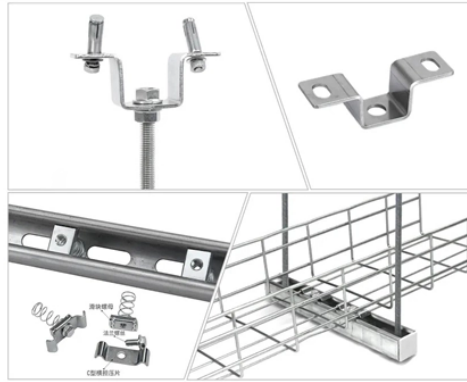


Lebanon Bridge Support Columns



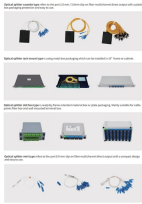
Lebanon Bridge Support Columns



Call Support. +961 1 878 714. Working Hours. 9:00 - 17:00. Menu. About Us. Introduction. Certificates. Projects . Country. Type. Formwork. Roof. H20 Timber Beams. Photos. Alu Beam. Photos. Post. ...



Find 9+ Thousand Bridge Support Columns stock images in HD and millions of other royalty-free stock photos, 3D objects, illustrations and vectors in the Shutterstock collection.



Explore a detailed case study on the erection, joints, and durability of precast segmental bridges in Lebanon, offering practical insights for engineers and architects.



This review includes precast column systems proposed in previous research studies, existing guidelines for design and construction of precast columns, and bridge projects involving precast columns ...



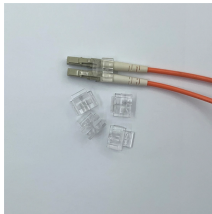
By utilizing FRP wraps or sheets, engineers can effectively strengthen bridge columns while mitigating corrosion concerns, particularly in coastal or harsh environmental conditions.



Columns are structural elements that support the superstructure, transfer vertical loads from superstructure to foundation, and resist the lateral loads acting on the bridge due to seismic and ...



Columns are structural elements that support the superstructure, transfer vertical loads from superstructure to foundation, and resist the lateral loads acting on the bridge due to seismic and ...



Prestressed concrete bridge beams provide a durable, high quality solution for modern road structures. The speed of installation of precast bridge beams is a key benefit when contractors are planning ...



Precast concrete cap beams connect to the tops of the piles/columns of the bridge substructure and support the bridge deck. Due to the tolerance of cast-in-place columns and piers, large blockouts in ...



5.7.1 INTRODUCTION
 5.7.4.1 Limit States
 5.7.4.2 Forces
 5.7.6.2 Pure Compression
 5.7.7.10 Column Design/Check
 5.7.8 COLUMN SHEAR DESIGN
 PROCEDURE
 Output Case
 Output Case(Av)
 Output Case
 Columns are structural elements that support the superstructure, transfer vertical loads from superstructure to foundation, and resist the lateral loads acting on the bridge due to seismic and various service loads. See more on dot.ca.gov/zaidan



LBC Substructure allows design of multi-column and hammerhead piers, straight, tapered, inverted T or variable caps, and circular, rectangular and variable columns. Footing types include rectangular ...

Contact Us

For more information, pricing, or custom data center solutions, please contact us:

Website: <https://yoahorroenergia.es>

Email: hello@yoahorroenergia.es

Phone: +233 54 318 7269

Address: Plot 28, Spintex Road, Accra, Greater Accra, Ghana

This document is for informational purposes only. Specifications subject to change without notice.

