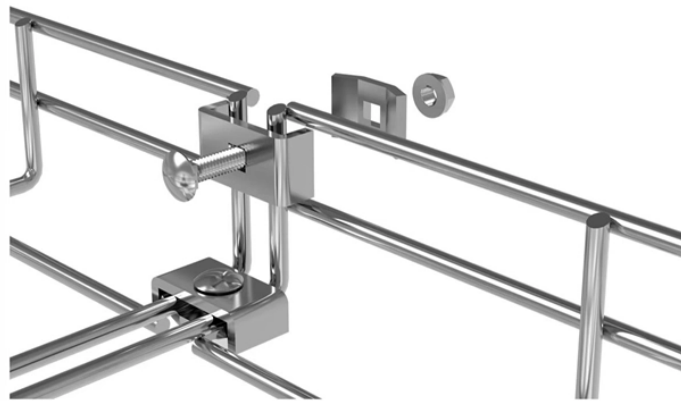


# Relocation of 48-core fiber optic distribution box



## Overview

Made from UV-resistant and weatherproof plastic, it supports 24 or 48 cores, ensuring secure and organized fiber connections in outdoor deployments. 48 Port Fiber Distribution Box provides 16, 24, 32 or 48 SC ports in a traditional two-layer design - a rear splice area for cable slack and splice protection, and a front interconnect area for SC ports. With the function of the mechanical splice, fusion splice, light splitting.



## Relocation of 48-core fiber optic distribution box



HTB8048B outdoor distribution box offers 24 or 48-core capacity with weatherproof protection, ideal for FTTH/FTTx outdoor termination and cable splicing.



This distribution box has a maximum capacity of 48 cores, with the ability to splice up to 96 cores in total. Our IP65-rated fiber distribution box is versatile for indoor and outdoor use, mountable on walls ...



Wholesale fiber optic distribution boxes (FDB/NAP Box) for FTTH deployments. Support 2-48 cores, pre-connected options, and IP65/67 waterproofing. ISO certified factory direct supply. Request our 2026 ...



Efficiently manage and distribute up to 48 fiber optic connections with the robust, weatherproof Sj ODB M12 fiber distribution box, ideal for telecommunications, data centers, and versatile network ...



Welcome to buy our high quality products or wholesale our customized 16/24/32/48 core outdoor fiber distribution box in stock with our factory. Also, free sample is also available if necessary.



FDB-48 Series 48 ports Fiber Distribution Box, also called Splitter Distribution Box or Fiber Terminal Box, can be used in FTTH projects and is suitable for corridor, basement, room, and building's outer ...



By carefully considering your requirements and exploring the available options, you can select the perfect 48 port fiber distribution box to optimize your network's performance and ensure its ...



Optical cables can be lead in/out from upsite or downsite. Adapters plate is selectable and splicing tray is removable and suitable for field operation and maintenance of up to 24 splices (heat shrink or crimp).



The FTTH 48 Core Fiber Access Terminal Box is a new-gen product for FTTH. Light and compact, it's ideal for connecting and protecting FTTH fiber cables. The FDB-48 Series 48-port Fiber Distribution ...



Le système répartiteur de fibre HDF3168 de Leviton est un cadre de distribution optique conçu pour les applications à haute densité dans les principales zones de distribution des centres de données.

## Contact Us

For more information, pricing, or custom data center solutions, please contact us:

Website: <https://yoahorroenergia.es>

Email: [hello@yoahorroenergia.es](mailto:hello@yoahorroenergia.es)

Phone: +233 54 318 7269

Address: Plot 28, Spintex Road, Accra, Greater Accra, Ghana

This document is for informational purposes only. Specifications subject to change without notice.

