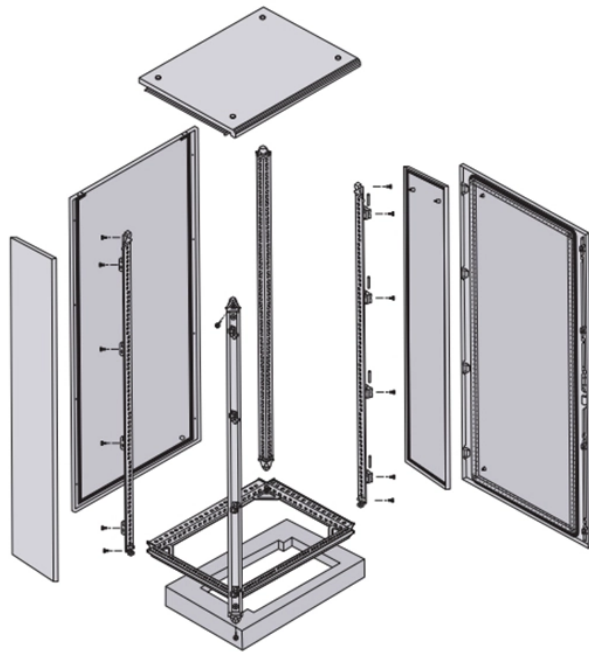


Tonga sells 288-core optical fiber cable



Tonga sells 288-core optical fiber cable



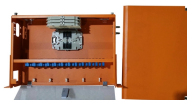
The cable consists of a single buffer tube containing 24-fiber and 36-fiber ribbons wrapped within a water-swellaible foam tape and surrounded by a second water-swellaible tape. Each 24-fiber and 36 ...



The cable consists of a single buffer tube containing 24-fiber and 36-fiber ribbons ...



Set in the heart of the Pacific with its proud royal heritage and strong traditions, Tonga offers an authentic Polynesian experience. Explore crystal clear waters, vibrant reefs, and welcoming island ...



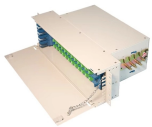
Universal (Indoor/Outdoor) dry core optical fiber Multi Loose Tube cable with aramid yarns as strength member and Low Smoke Zero Halogen outer jacket. Existing out of 12 tubes with a diameter of ...



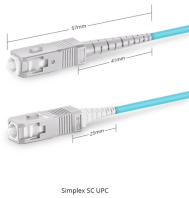
We can deliver many ADSS cables from 2-288 Strands in 6-8 weeks or less-We now carry Fujikura ADSS cable direct- please call or send RFQ for ADSS or any other FTTH Cable-- ...



There are several reasons why you should visit Tonga, including that it's world-renowned for its whale swimming, the culture is unique and immersive, Tonga has incredible scuba diving and ...



The Kingdom of Tonga is made up of 171 islands, sprawling across 700,000 sq km of the South Pacific Ocean, stitched by the volcanoes of the "Pacific Rim of Fire" into a line, north to south, 800km long. ...



The 2-288 fibers are positioned in PBT loose tube filled with gel. Tubes (and fillers) are stranded around the central strength member (Steel or FRP) to form the cable core.



Shop high-quality 288 core fiber optic cables for outdoor use. OEM supplier of durable, efficient fiber optic solutions for various needs. Bulk orders welcome.



Fiber Indoor/Outdoor cable, TeraSPEED[®], Single Jacket All-Dielectric, 288 fiber, Riser Rated, Gel-Free, Stranded Loose Tube, Singlemode G.652.D and G.657.A1, Feet jacket marking, Black jacket ...



This cable features gel-filled buffer tubes for superior water-blocking. It is constructed of a single polyethylene jacket, corrugated steel armor tape (lite armor), water-blocking tape and a central ...



Micro Fiber Cable, Single Mode, 288 ct., Dielectric, Single Jacket, Loose Tube, Zero Water Peak, Dry/Dry, 10.4mm OD, Price Per Ft., Our reels have a manufacturing variance up to 5%, you will be ...



Discover pristine beaches, stunning coral atolls, active volcanoes and untouched rainforests. With an abundance of marine life, deserted islands, national parks, caves, authentic villages, impressive ...



Tonga, country in the southwestern Pacific Ocean. It consists of some 170 islands divided into three main island groups: Tongatapu in the south, Ha''apai in the centre, and Vava''u in the north.



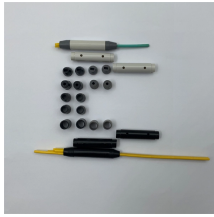
Tonga, a Polynesian country, comprises over 170 islands in the South Pacific Ocean. Its maritime boundaries include established and provisional borders with neighboring states: an official ...



Now, Tonga was officially alone, with no physical or digital connection to the outside world and no way to call for help. Underwater, the middle portion of the cable drifted out to sea, and ...



Offers 4 core 24 core 48 core to 288 core with different cable structure. This 288 core CST fibre cable has a corrugated steel tape CST and a CSM, flame retardant sheath.



Discover Tonga. Explore Tonga facts, culture, history & comprehensive country profile with maps, statistics & research resources for students & travelers.

Contact Us

For more information, pricing, or custom data center solutions, please contact us:

Website: <https://yoahorroenergia.es>

Email: hello@yoahorroenergia.es

Phone: +233 54 318 7269

Address: Plot 28, Spintex Road, Accra, Greater Accra, Ghana

This document is for informational purposes only. Specifications subject to change without notice.

